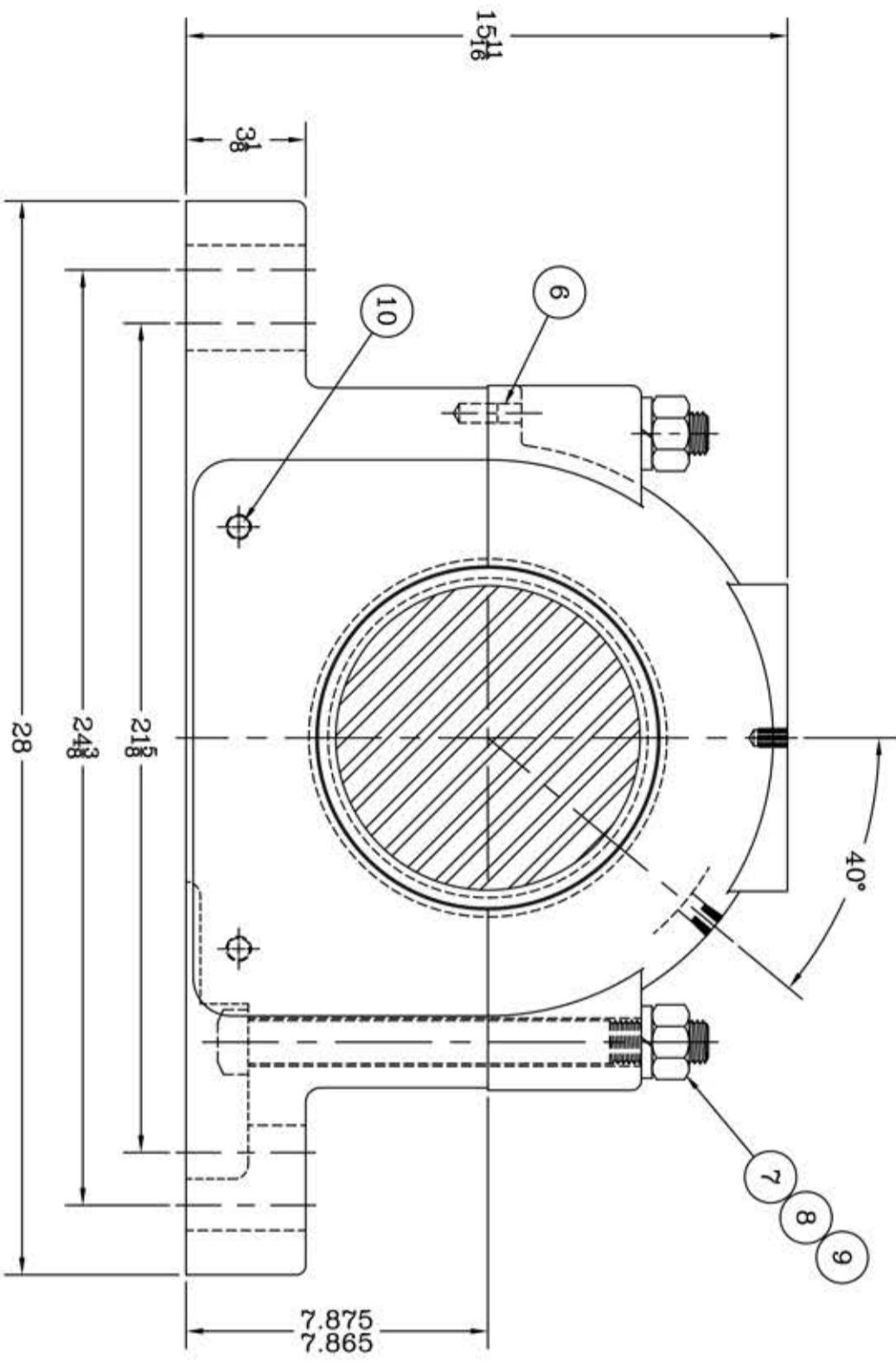
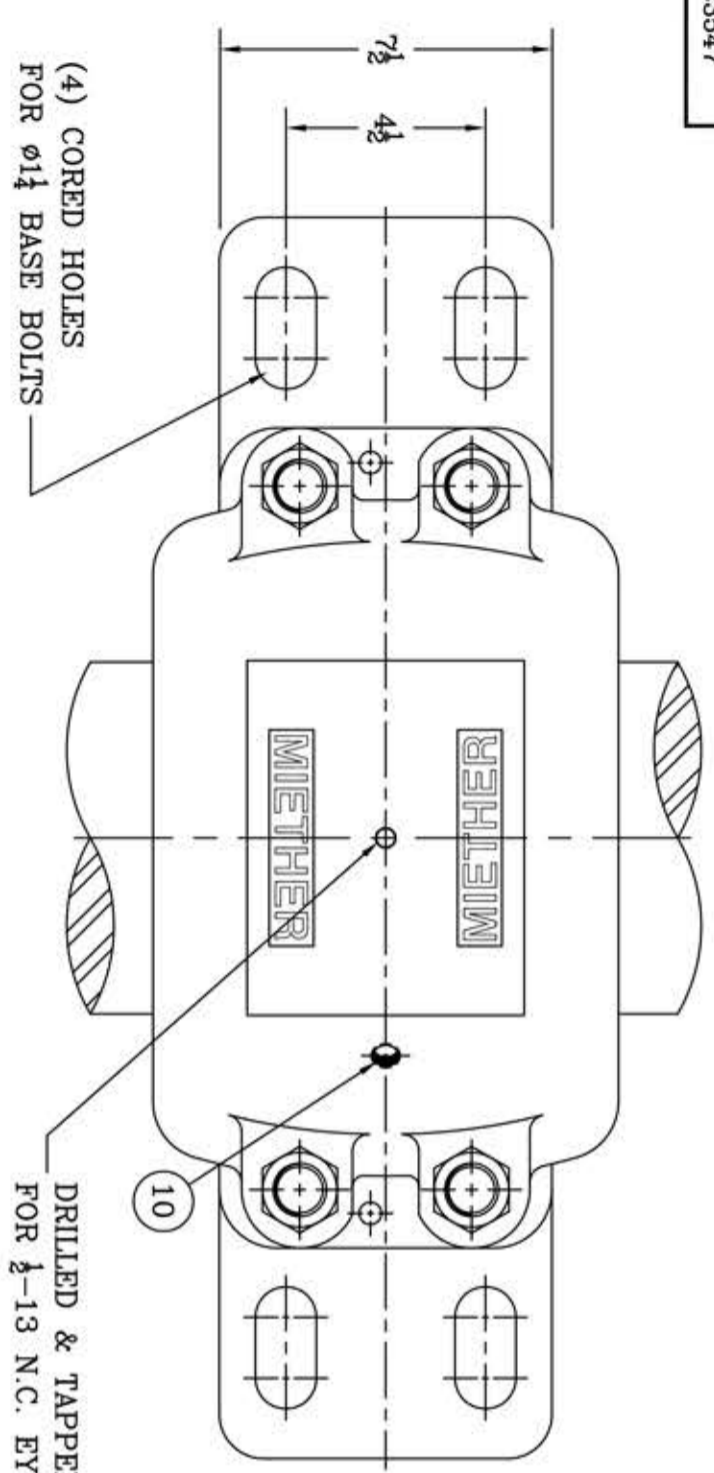
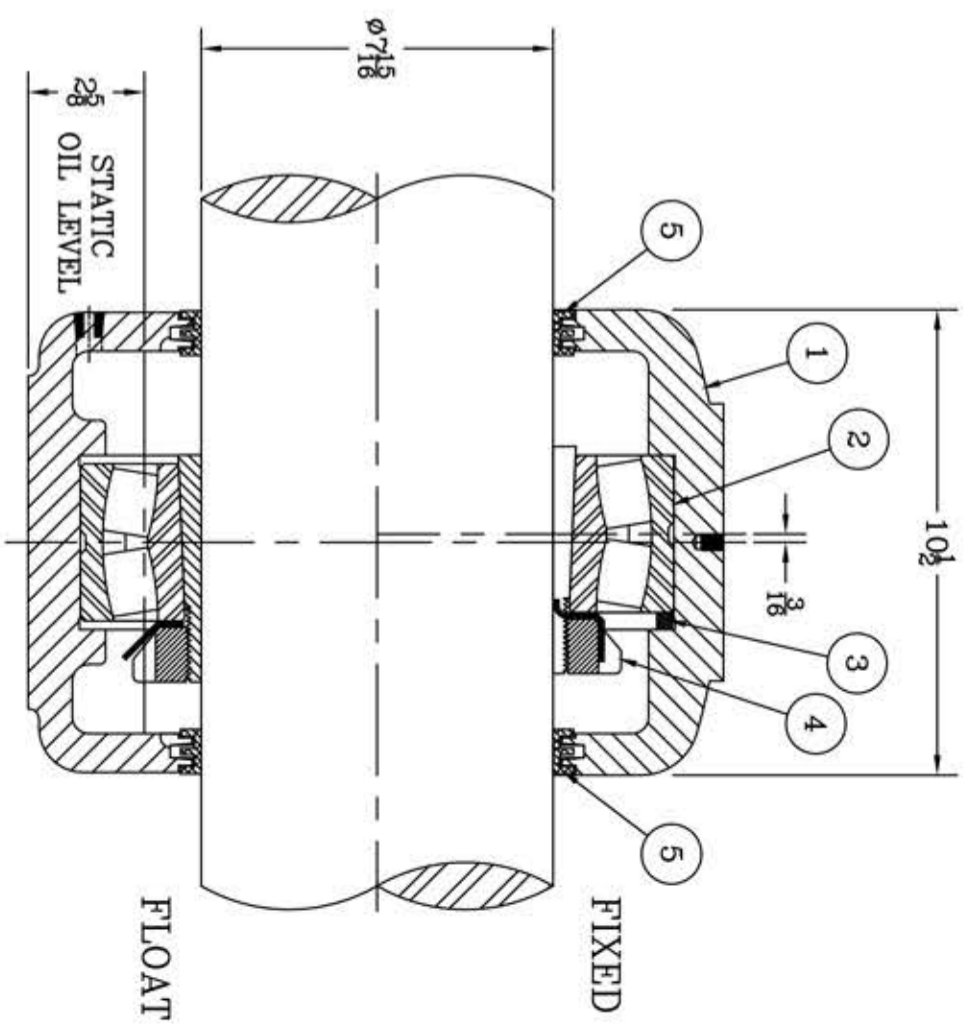


This drawing is the sole property of Miether Bearing Products and contains confidential and proprietary information. It is being provided to you for your use and may not be disclosed to any third party or used for any other purpose without Miether's prior written consent. The [materials] must be returned to the Company upon its demand. Your acceptance of these materials constitutes your acceptance of the foregoing terms.

C-23547



ITEM	DESCRIPTION	DETAIL	REQUIRED
1	HOUSING SAF 044 K 07-15	C-12056-R	1 1
2	SPHERICAL ROLLER BEARING	23044K/W-33	1 1
3	STABILIZING RING SR-38-32	A-10555	1 0
4	ADAPTER SNW-3044 07-15	24503	1 1
5	TRIPLE SEAL RING LER-167	A-10591	2 2
6	DOWEL $\phi 1/2$ x 1" LONG		2 2
7	CAP BOLT SQUARE HEAD $1\frac{1}{8}$ -7 NC x 12 1/2 LONG		4 4
8	CAP BOLT HEX NUT $1\frac{1}{8}$ -7 NC		4 4
9	LOCKWASHER $1\frac{1}{8}$ SPLIT MED.		4 4
10	PIPE PLUG $\frac{3}{8}$ -18 NPT		3 3



REDRAWN FOR CONFORMITY RWB per KAB 4-20-04

REDRAWN TO SCALE by RWB 6-29-99

REVISIONS

SYMBOL	DESCRIPTION
✓	16
✓	32
✓	63
✓	125
✓	250
✓	500
✓	1000

TOLERANCE: UNLESS OTHERWISE SPECIFIED

FRACTIONS $\pm 1/32$ ANGLES $\pm 0^\circ 30'$

DECIMALS $\pm .005$ WELD $\pm 1/16$

CASTING $\pm 1/16$

A.I.S.I. STANDARD FINISHES

AN ALCO INDUSTRIES COMPANY

BEARING PRODUCTS

ODESSA, TX. USA

SAF 23044 K 07-15	ASSEMBLY NO.
ASSEMBLY DRAWING	
SCALE 1 = 3	ASSEMBLY NO.
DRAWN OMI	
DATE 5-19-94	DRAWING NO.
CHK.	C-23547